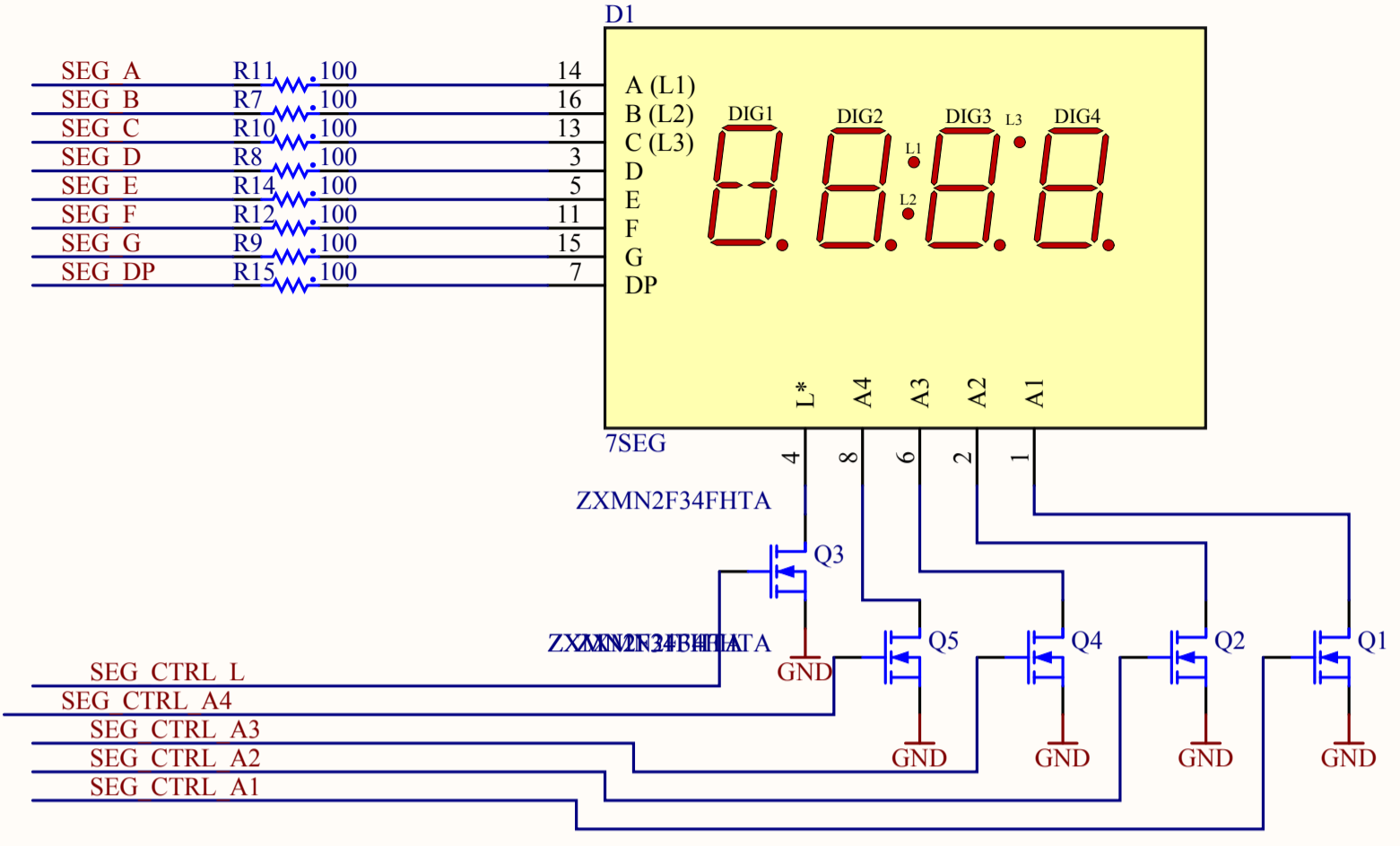
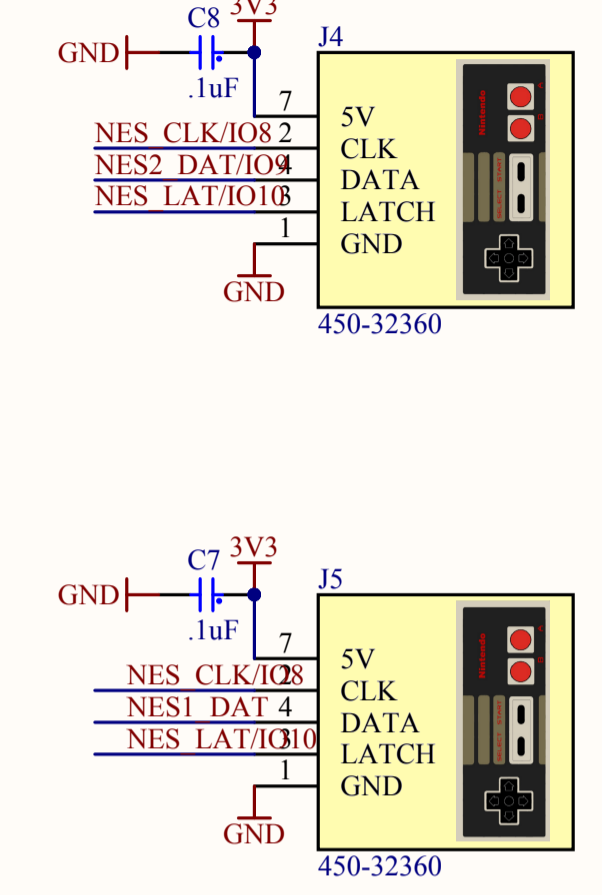


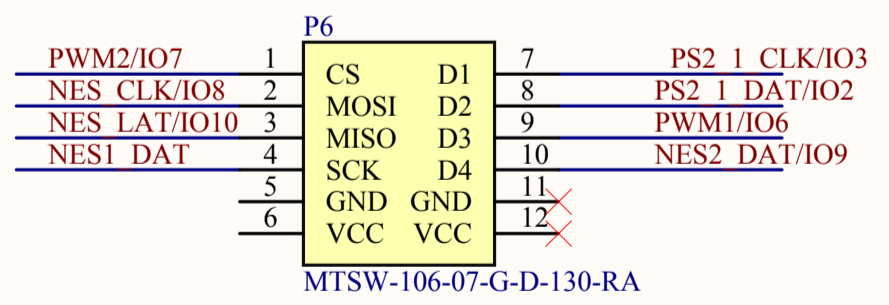
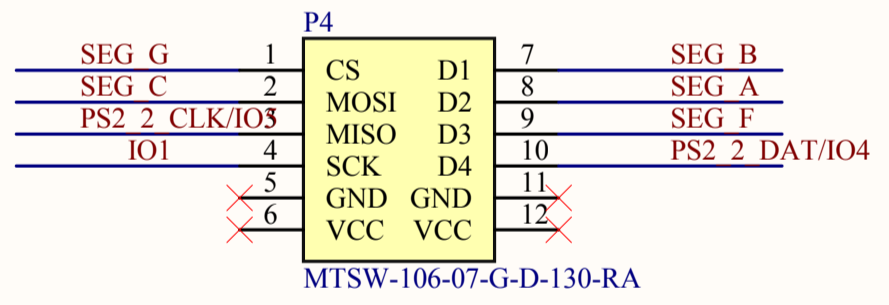
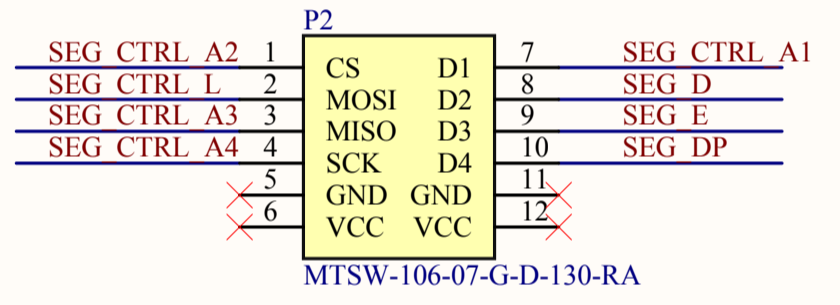
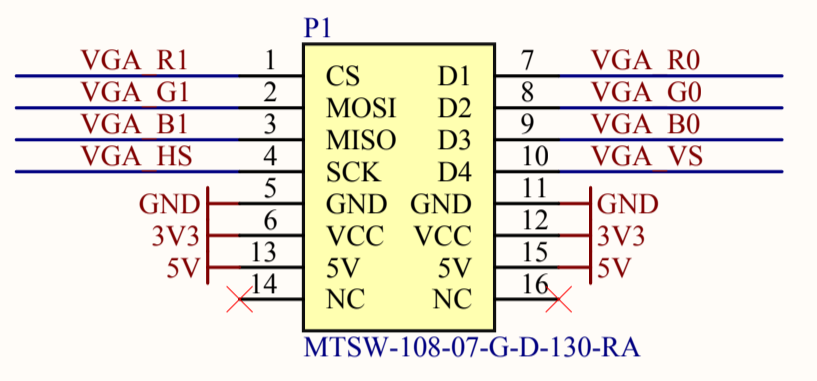
SEVEN SEGMENT DISPLAY - 4 CHARACTERS



NINTENDO CONTROLLER INTERFACE

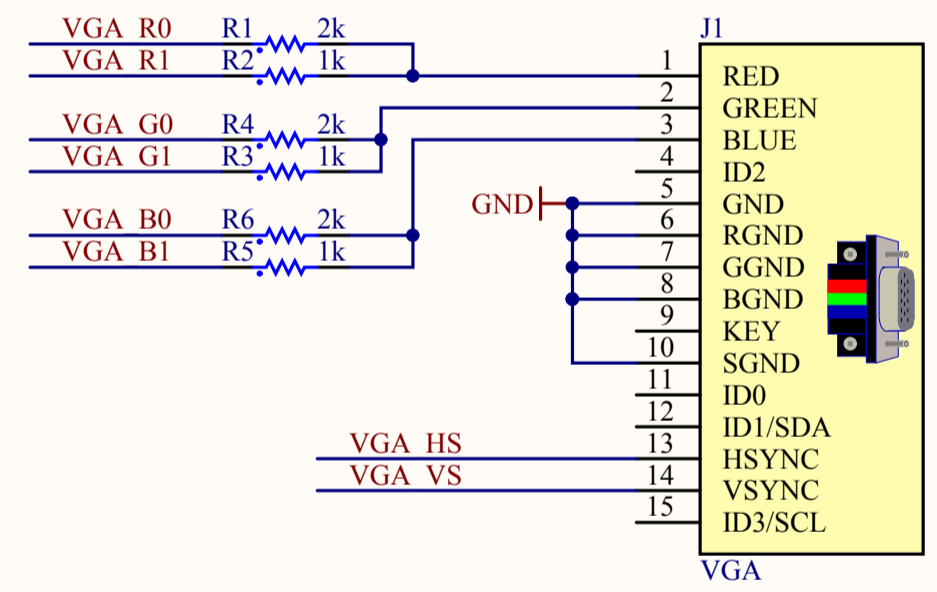


PMOD - EXPANSION PORTS

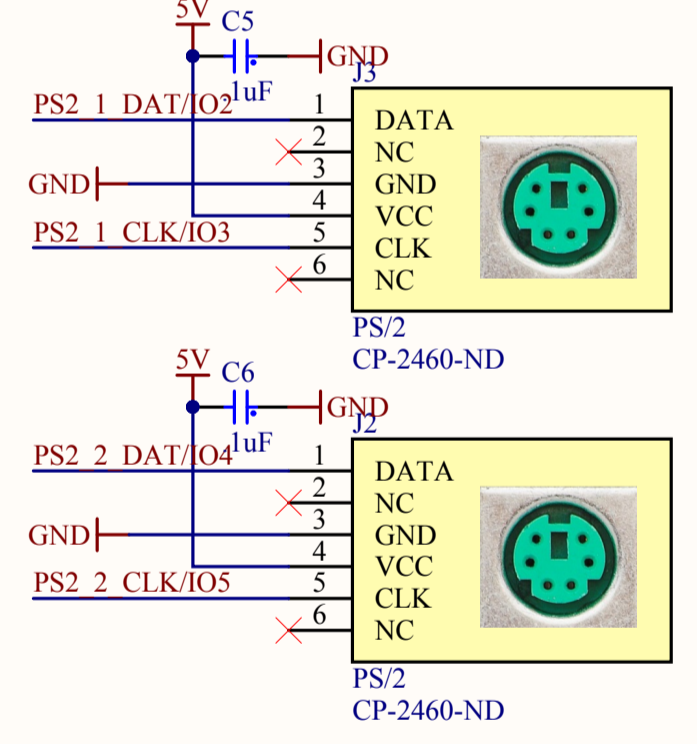


Previous Labels
 SEG_CTRL_A1
 SEG_CTRL_A2
 SEG_CTRL_A3
 SEG_CTRL_A4
 SEG_CTRL_L

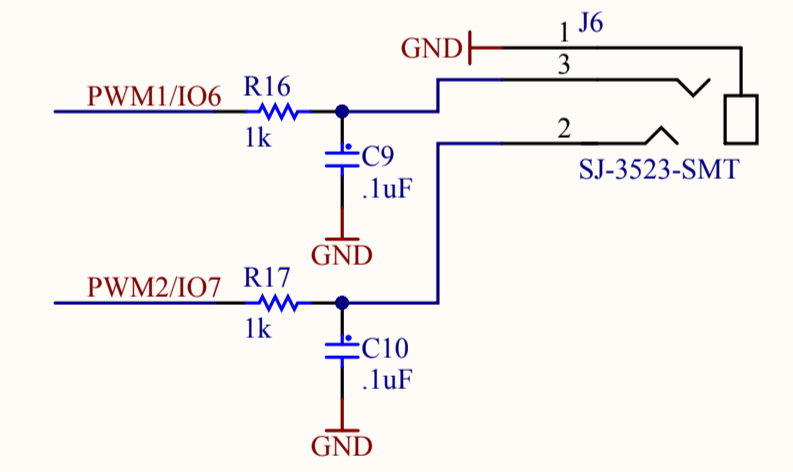
VGA - VIDEO OUTPUT



PS/2 CONTROL INTERFACE



PWM AUDIO OUTPUT



Breadboard Prototyping Area

